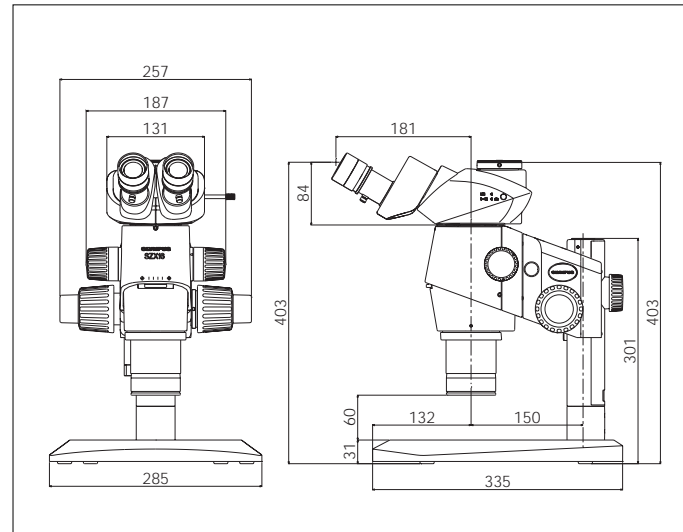


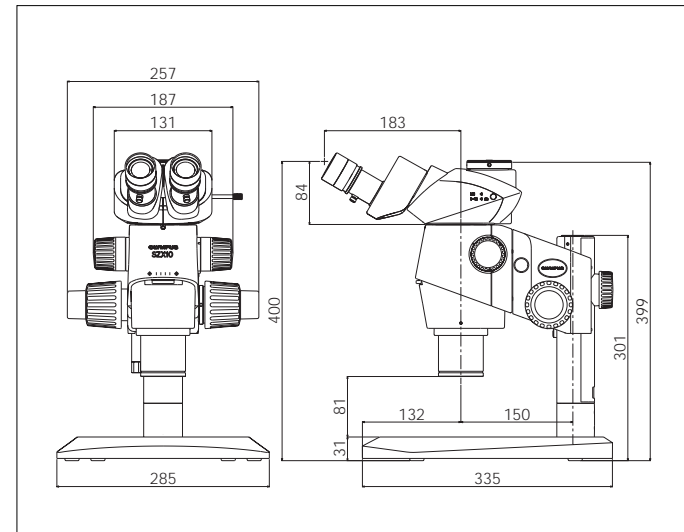
SZX16 standard set dimensions

(unit: mm)



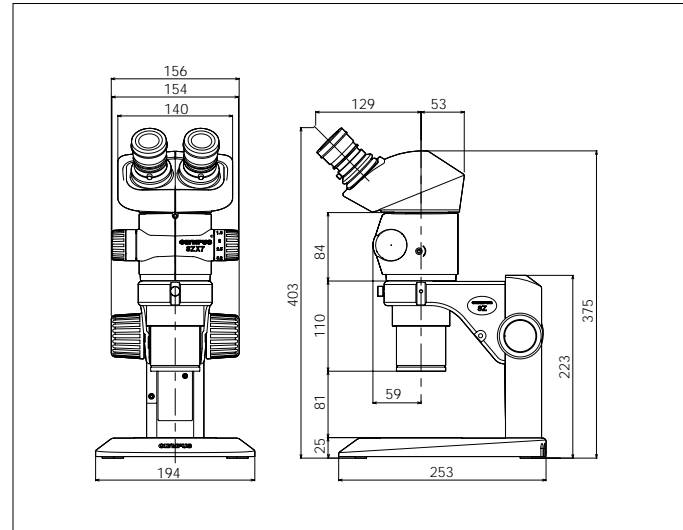
SZX10 standard set dimensions

(unit: mm)



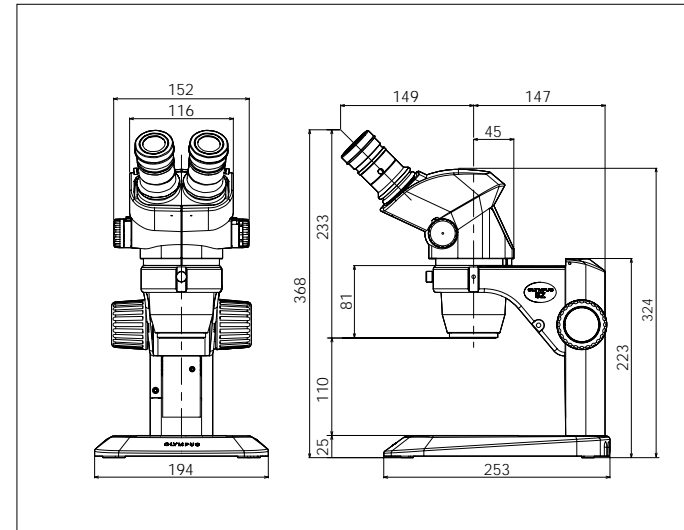
SZX7 standard set dimensions

(unit: mm)



SZ61/ SZ51 standard set dimensions

(unit: mm)



**OLYMPUS**<sup>®</sup>

Your Vision, Our Future

STEREOMICROSCOPE LINEUP

SZX16/SZX10/SZX7/SZ61/SZ51

S Z X 1 6 / S Z X 1 0



For Biological Use

S Z X 7



S Z 6 1 / S Z 5 1

SZX16, SZX10, SZX7, SZ61 and SZ51 are environmental conscious products according to OLYMPUS's own standards.

The main features of OLYMPUS Eco-products are as follows:

- Lead-free and arsenic-free Eco-glass for optics, such as lenses and prisms.
- Use of cardboard for packing materials without styrene foam for promoting the recycling.

Additional features for SZX16 and SZX10

- Exclusion\* of hexavalent chrome, mercury, lead and cadmium from metal materials and surface treatment of metal.
- Exclusion\* of lead solders.

\* A definition of exclusion depends on olympus standard. Some accessories are inapplicable.

Please visit our web site for further information: <http://www.olympus.co.jp/en/eco-products/>

• OLYMPUS CORPORATION has obtained the ISO9001

• Illumination devices for microscope have suggested lifetimes. Periodic inspections are required. Please visit our web site for details.

• Specifications and appearances are subject to change without any notice or obligation on the part of the manufacturer.



ECO-PRODUCTS

**OLYMPUS**<sup>®</sup>

[www.olympus.com](http://www.olympus.com)

**OLYMPUS CORPORATION**  
Shinjuku Monolith, 3-1, Nishi Shinjuku 2-chome, Shinjuku-ku, Tokyo, Japan  
**OLYMPUS LIFE SCIENCE EUROPA GMBH**  
Postfach 10 49 08, 20034, Hamburg, Germany  
**OLYMPUS AMERICA INC.**  
3500 Corporate Parkway, Center Valley, Pennsylvania 18034-0610, U.S.A.  
**OLYMPUS SINGAPORE PTE LTD.**  
491B River Valley Road, #12-01/04 Valley Point Office Tower, Singapore 248373

**OLYMPUS AUSTRALIA PTY. LTD.**  
31 Gilby Road, Mt. Waverley, VIC 3149, Melbourne, Australia.  
**OLYMPUS LATIN AMERICA, INC.**  
5301 Blue Lagoon Drive, Suite 290 Miami, FL 33126, U.S.A.  
**OLYMPUS (CHINA) CO., LTD.**  
12F, NCI Tower, A12 Jianguomenwai Avenue, Chaoyang District, Beijing, 100022, China

Printed in Japan M1596E-0609B

# Olympus stereomicroscopes deliver the superior images needed for cutting-edge research.

Olympus presents two stereomicroscopes that are models of efficiency offering brilliant optical performance. Integrated with the superb Telescope type system, the SZX16/SZX10/SZX7 series has a wide zoom range for distinct clarity and high-resolution imaging. The Greenough optical system has been designed into the SZ61/SZ51 series with a compact body for user-friendly operation throughout the zoom range. All models deliver outstanding image data that are a distinct advantage for a wide range of biological applications and specimens of any type or size.

# Versatile Inspection

## Stereomicroscope Lineup

Telescope type system

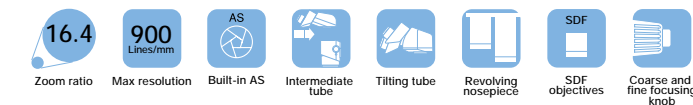
### SZX16 Series



High precision stereomicroscope: Optimum viewing and ease of use

- New SDF objectives with a high NA and 900 lp/mm\* resolution as well as superb 1:16.4 zoom function
- Astigmatism-free design for sharper-than-ever 3D observation
- Ergonomic design for natural posture plus reduced stress and fatigue during long-time observation

\*900 lp/mm is achieved when the SDFPLAPO2XPFC lens is used.



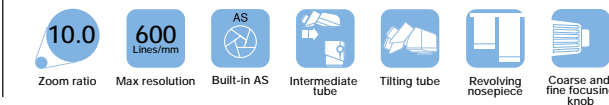
Telescope type system

### SZX10 Series



Highly versatile basic model reproduces true-to-life images of samples

- Optimal performance in routine tasks like selection or dissection with 1:10 zoom ratio
- Easy-to-use, fatigue-free design, as seen in the SZX16
- Broad selection of accessories to enhance research capability



Telescope type system

### SZX7 Series



Cost-efficient model with telescope type system

- Compact model expandable for high-resolution observation
- Trinocular tubes compatible with digital camera are available



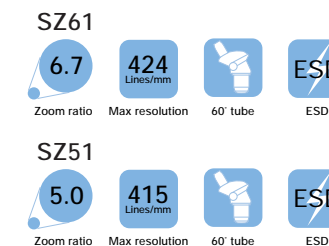
Greenough optical system

### SZ61/SZ51 Series



All functions needed for routine work, all in one compact body

- Greenough optical system for maximum performance
- Slim and compact body for enhanced efficiency
- Well-suited to routine work alone or in combination with other devices, including digital cameras and TV cameras



## Optics Performance Specifications

	Zoom ratio	Zoom magnification	Total magnification*	Resolution	Long WD
SZX16	16.4	0.7x~11.5x	2.1x~690x		
SZX 10	10.0	0.63x~6.3x	3.15x~378x		
SZX 7	7.0	0.8x~5.6x	4.0x~336x		
SZ 61	6.7	0.67x~4.5x	1.68x~270x		
SZ 51	5.0	0.8x~4.0x	2.0x~240x		

\*From the combined use of objectives and eyepieces.

## ■ Illumination suited to various samples

Choose from a lineup of expandable illuminators that can be integrated into stereomicroscope systems. Olympus stereomicroscopes create the best illuminating environment for optimum results in brightness, contrast, and spotlighting, depending on various manipulations and samples.



High-level transmitted light illumination base  
SZX2-ILLB  
Brightfield/darkfield transmitted light illumination base  
SZX2-ILLD  
Transmitted light illumination base  
SZX2-ILLK



Slim LED transmitted light illumination base  
SZX2-ILLT



Dual inter-lock light guide  
LG-DI



Coaxial illuminator  
SZX2-ILLC16/SZX2-ILLC10



Transmitted illumination attachment  
SZ2-ILA



LED illumination stand  
SZ2-ILST



Ring light guide  
SZX-LGR66 + SZ2-LGR + SZ2-LGB



22W dual inter-lock light guide (for SZ61)  
SZ2-LGDI + SZ2-LGB

Please refer to other product catalogs for more details on illuminators.